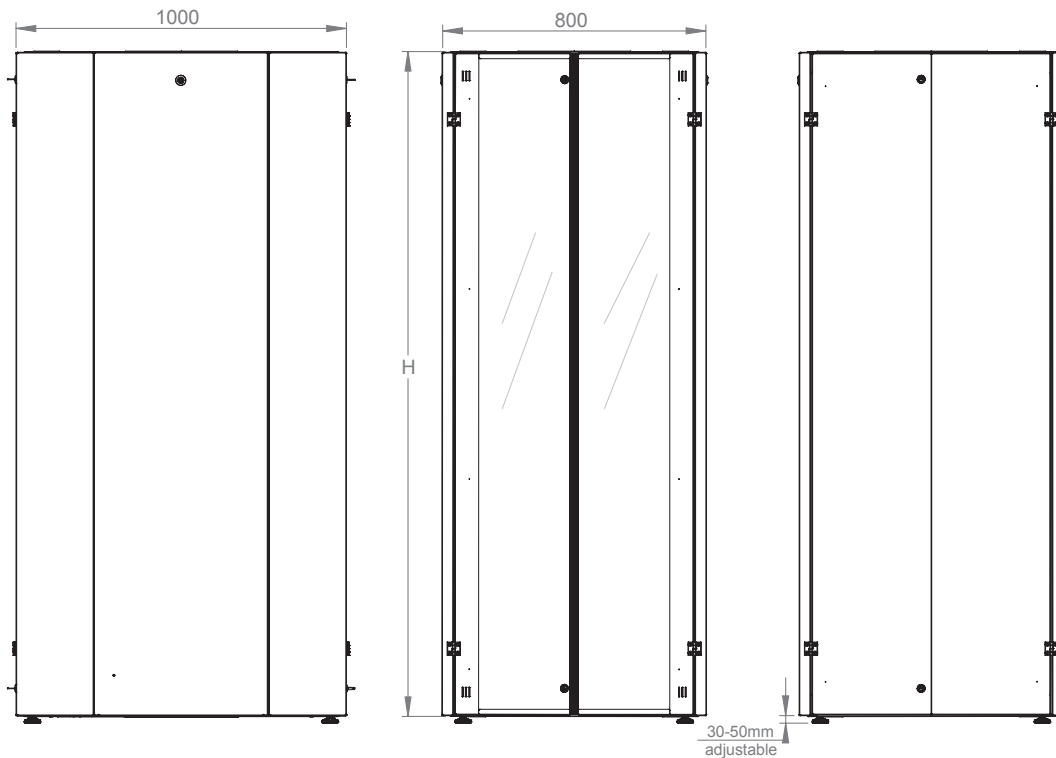


19" PROline 400/400P Series

Free Standing Cabinets

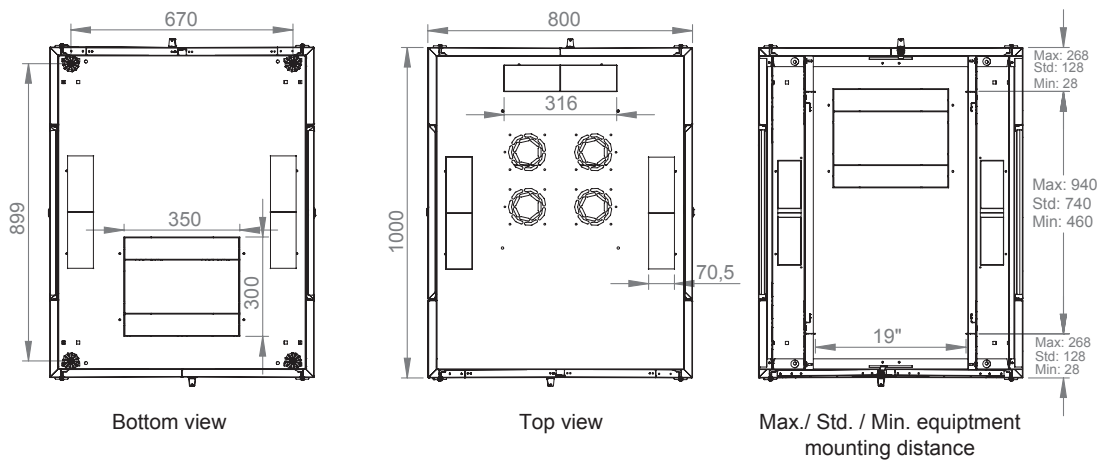
Width: 800 mm
Depth: 1000 mm



Side view

Front view

Rear view



Bottom view

Top view

Max./ Std. / Min. equipment mounting distance

Part Definition	Material Quality	Material Thickness (mm)	Shipment Configuration
Top Bottom Case	DIN EN 10130-DC-01-6112 CRS	1,2 mm	2
Glass Door	EN 12150-1 Tempered Secure Glass	4 mm	2
19" Equipment Mounting Rails	DIN EN 10130-DC-01-6112 CRS	1,5 mm	4
Rear Doors	DIN EN 10130-DC-01-6112 CRS	1 mm	2
Side Panels	DIN EN 10130-DC-01-6112 CRS	0,8 mm	2
Corner Profiles (Cabinet Frame and Long Profiles On Sides)	DIN EN 10130-DC-01-6112 CRS	1,2 mm	4

Metal door (A) and perforated metal door (C) options with 1,2 mm material thickness.
4 mm thick EN 12150-1 compatible tempered glass door option (B) with 1,2 mm thick metal side frame.